



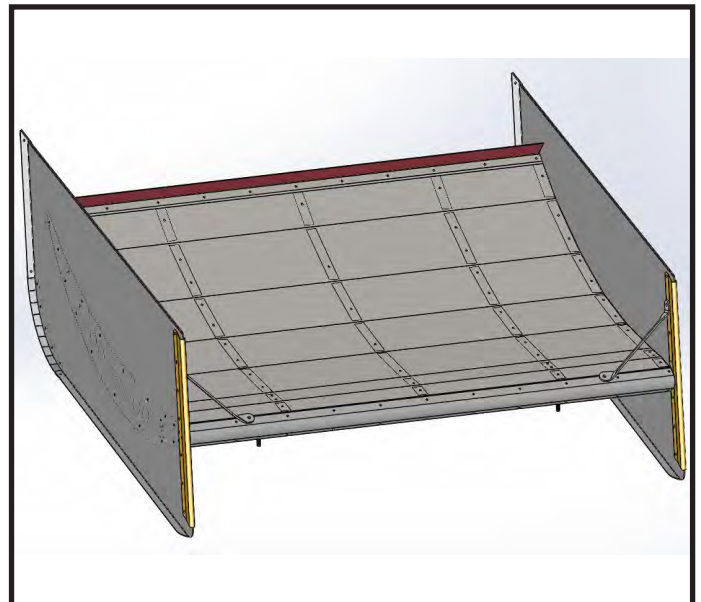
## HRP NOSE WING ASSEMBLY INSTRUCTIONS FOR

# SKD NOSE WING

MOST USED SPRINTCAR WING IN THE WORLD!



*Wind Tunnel Tested*  
*CAD Designed and Engineered*  
*Tested with Air Flow Simulations*  
*CNC Processed for Accuracy*



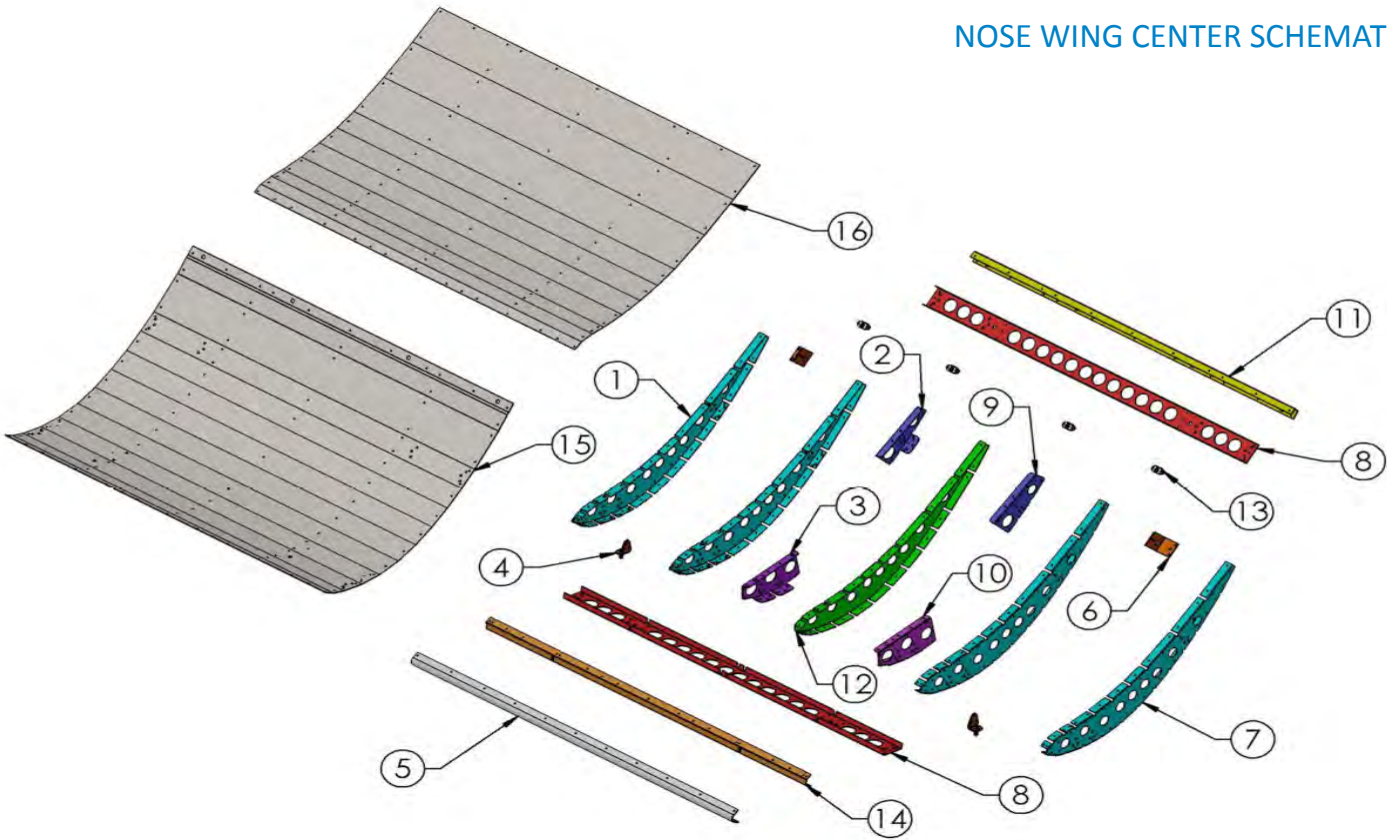
Please read these directions thoroughly and check for all parts before starting.

# Contents

Table of Contents .....	2
Part Schematics .....	3
Nose Wing Checklist .....	4
Nose Wing Assembly .....	5 - 8
Side Board Attachment .....	9 - 10
Additional Information .....	11 - 12

Note: If a Specialty Side Board has been purchased, then read through the General Side Board Assembly Guide on pages 9 and 10 and assemble the specialty board similarly.

NOSE WING CENTER SCHEMATIC



**PRE ASSEMBLY PARTS CHECK**

Verify that all quantities of parts are included by first checking them off of the checklist on page 4



**TOOLS NEEDED:**

- Rivet Gun (1/8" & 3/16")
- Drill (1/8" & 3/16" Bits)
- Hammer
- Pin Punch
- Large Clean Work Area

### NOSE WING CENTER PARTS LIST

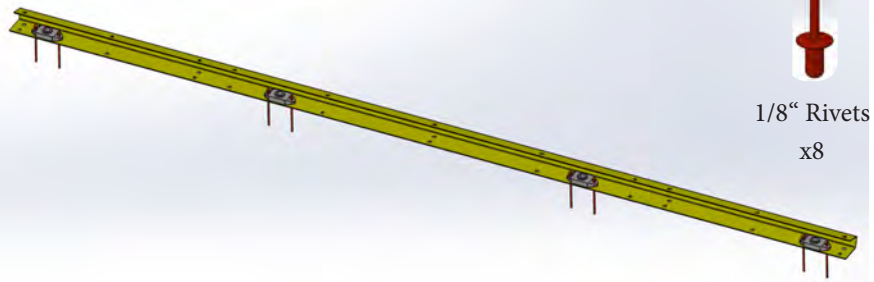
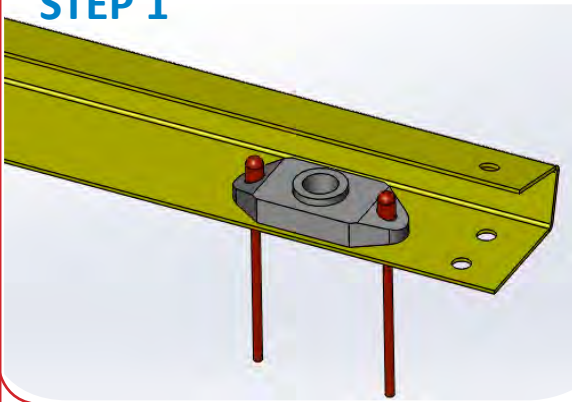
SKU #	HRP #	PART DESCRIPTION	QUA	CHECK
1	SKD1001-RH	RH SKD Profile	2	
2	SKD1010-B-RH	RH Back Bracket	1	
3	SKD1010-F-RH	RH Front Bracket	1	
4	VFT1005	Front Mount	2	
5	VFT1017	Nose Cap	1	
6	VFT1007	Back Mount	2	
7	SKD1001-LH	LH SKD Profile	2	
8	SKD1006	Cross Bracket	2	
9	SKD1010-B-LH	LH Back Bracket	1	
10	SKD1010-F-LH	LH Front Bracket	1	
11	SKD1015	Back Edge	1	
12	SKD1001-CTR	Center Profile	1	
13	85-35-295-15	D-ZEUS Clip	4	
14	VFT1016	Nose Backer	1	
15	SKD1024	Bottom Skin	1	
16	SKD1022	Top Skin	1	

### HARDWARE PARTS LIST

HRP #	PART DESCRIPTION	QUA	CHECK
AD41-43BS	1/8" Rivet	215	
AD62-64BS	3/16" Rivet	40	
HRP0310	D-ZEUS Button	4	
1/4 - 20 Flange Nut	1/4 - 20 Nylock Flange Nut	2	
VFT1003	External Mount	4	
SHK9059-LH	LH Brace	1	
SHK9059-RH	RH Brace	1	
SKD1034-LH	LH Aero-Nose Cap	1	
SKD1034-RH	RH Aero-Nose Cap	1	
HRP9003	8" Oval Sticker	1	
VFT1096	Wicker Bill	1	



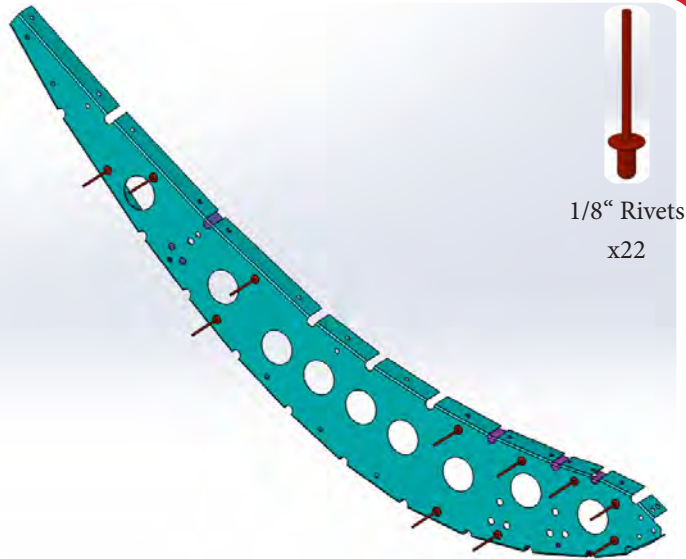
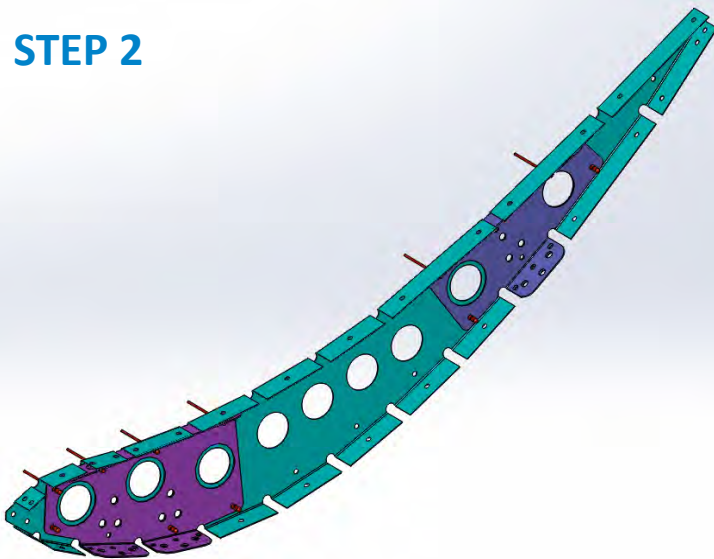
### STEP 1



1/8" Rivets  
x8

Rivet on x4 D-ZEUS Clip (13) to the Back Edge (11)

### STEP 2

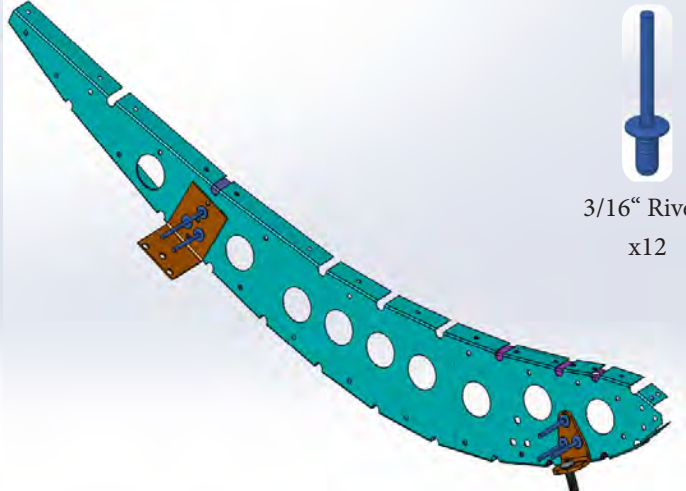
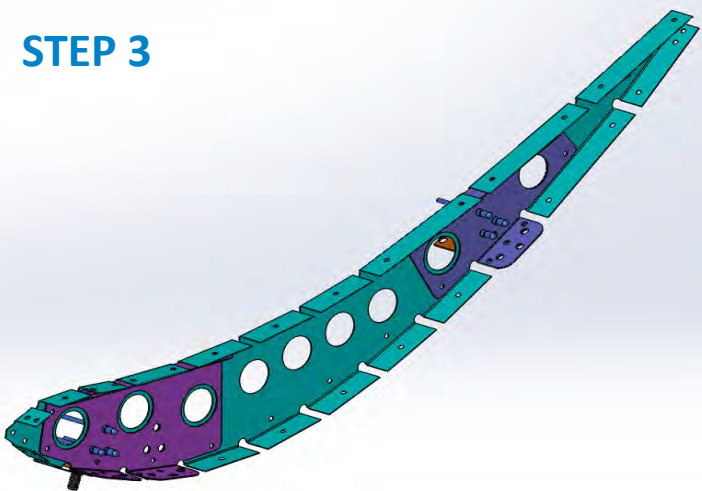


1/8" Rivets  
x22

Rivet on the Front Bracket (3, 10) and Back Bracket (2, 9) to the x2 SKD Profile (1, 7)

Repeat: 1x LH  
1x RH

### STEP 3

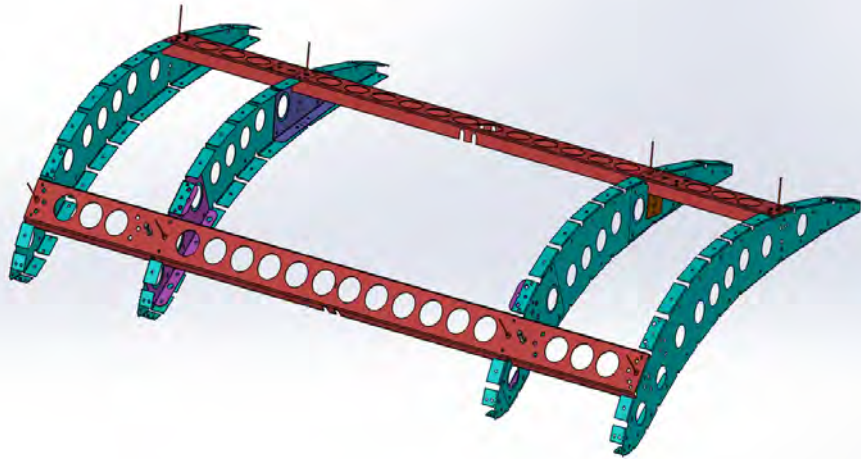
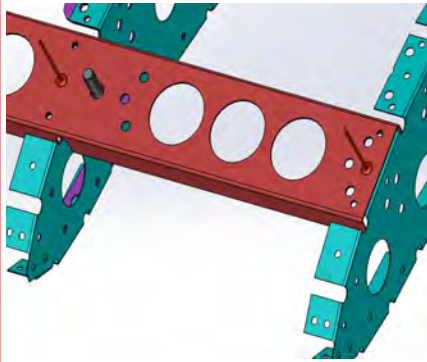


3/16" Rivets  
x12

Rivet on the Back Mount (6) and Front Mount (4) to Step 2

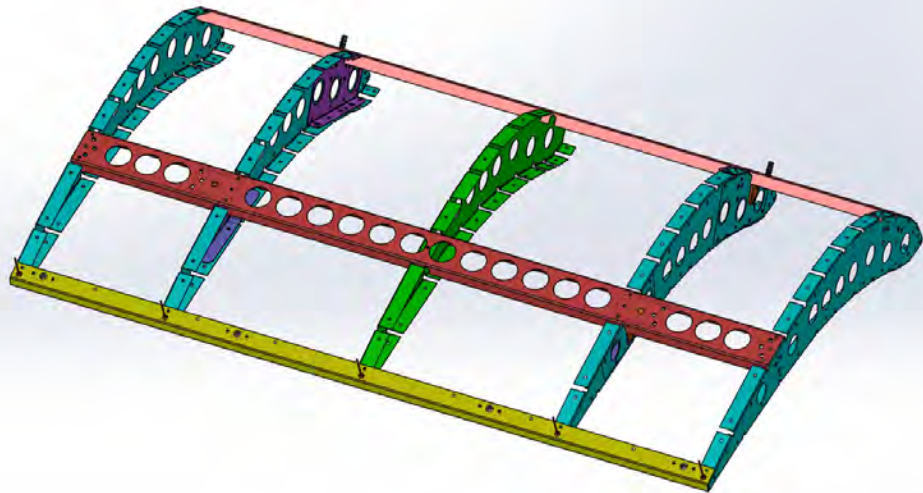
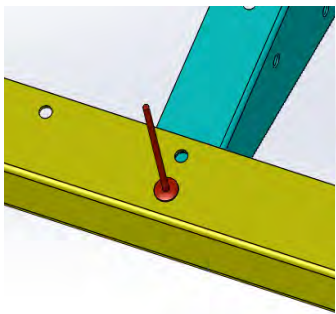
Repeat: 1x LH  
1x RH

## STEP 4



Rivet x2 Step 3 and the SKD Profiles (1, 7) to the Cross Bracket (8)

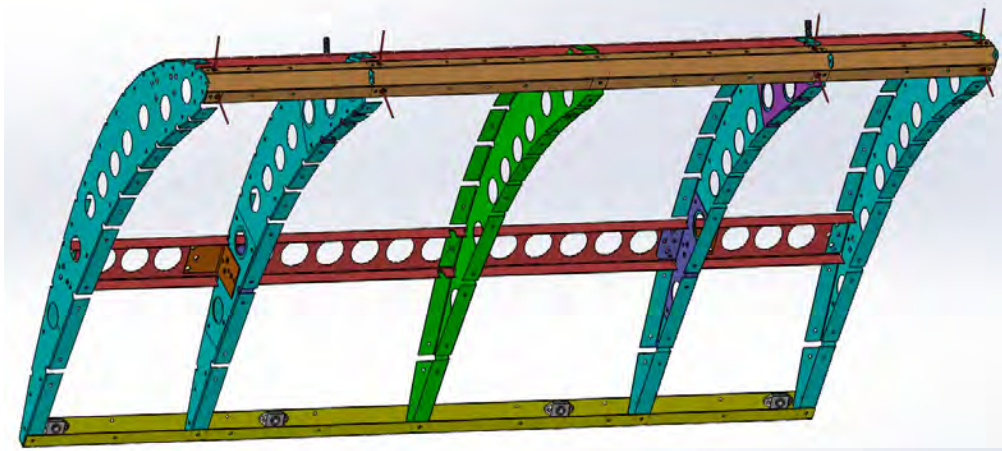
## STEP 5



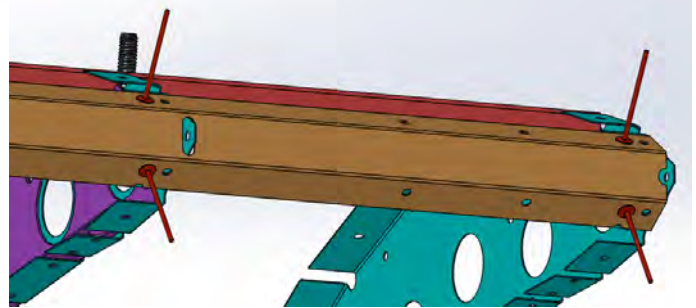
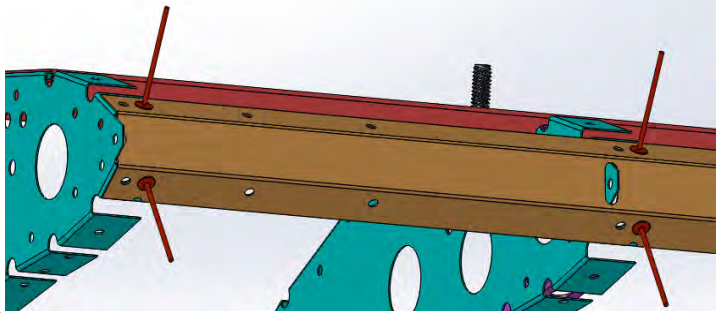
Rivet Step 1 to Step 4 and then rivet the Center Profile (12) to Step 1



## STEP 6

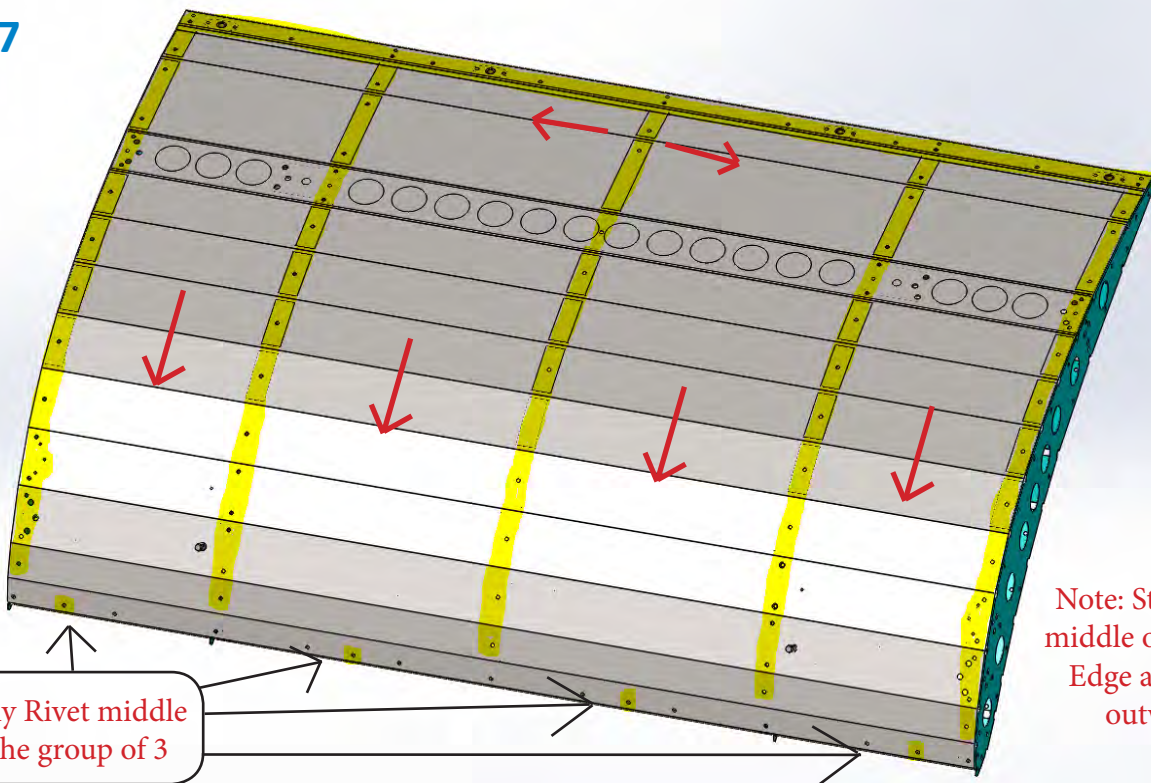


1/8" Rivets  
x8



Rivet the Nose Backer (14) onto Step 5

## STEP 7



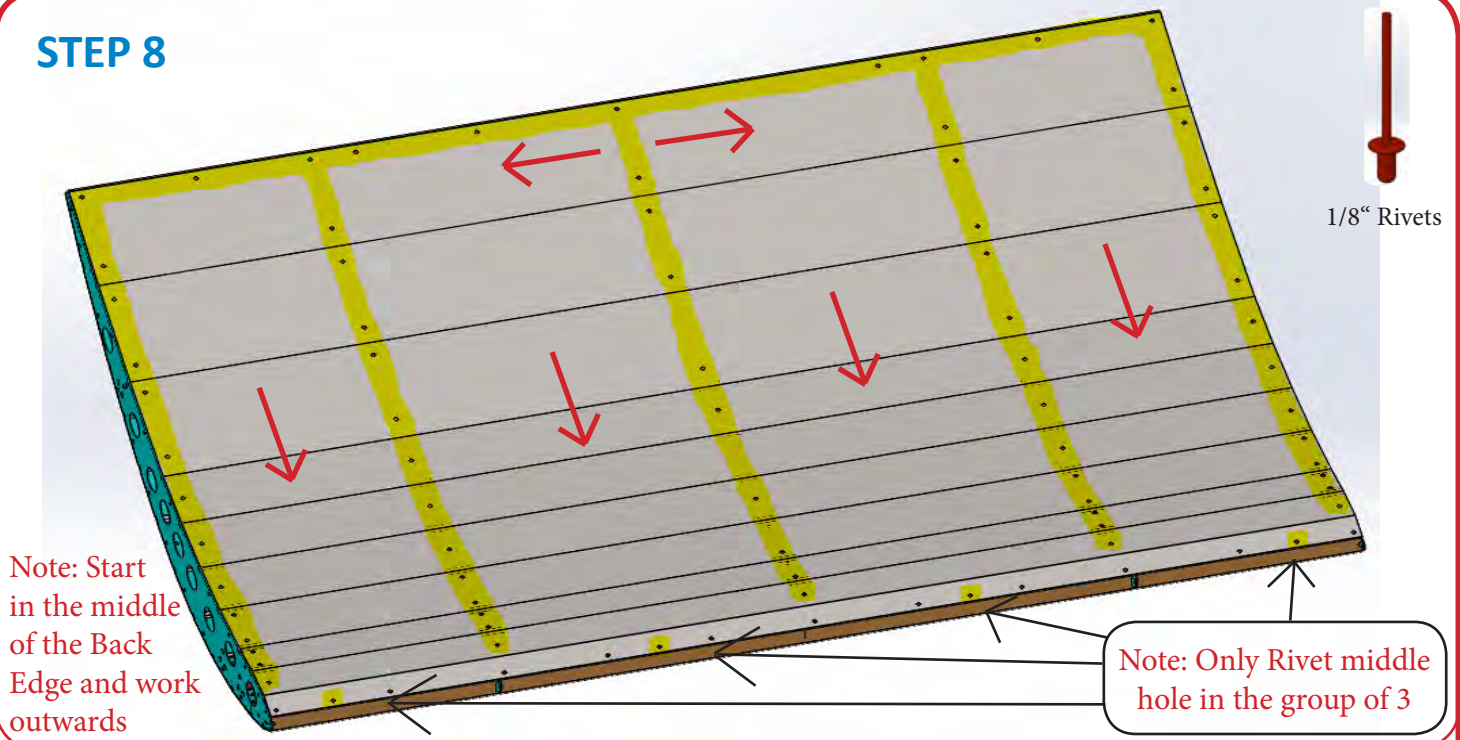
1/8" Rivets

Note: Only Rivet middle hole in the group of 3

Note: Start in the middle of the Back Edge and work outwards

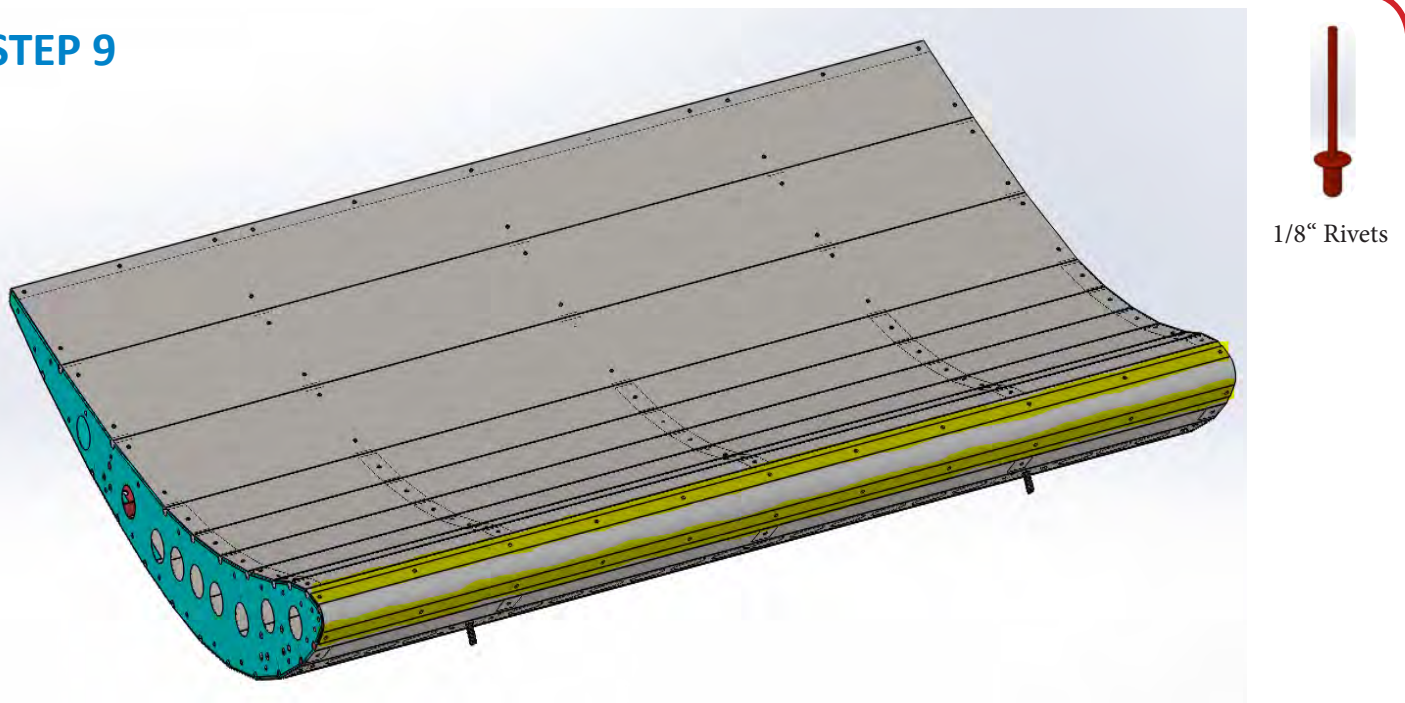
Rivet the Bottom Skin (15) to Step 6 by riveting the 1/8" holes highlighted

## STEP 8



Rivet the Top Skin (16) onto Step 7 by riveting the 1/8" holes highlighted

## STEP 9

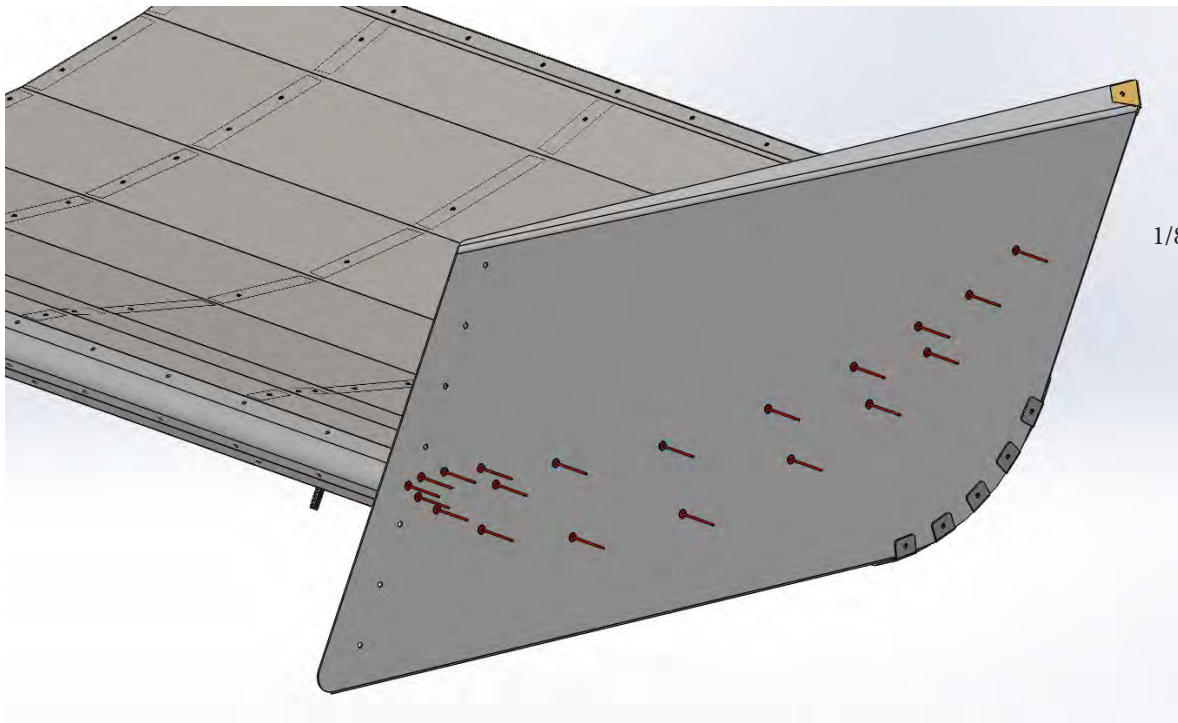


Rivet the Nose Cap (5) to Step 8 by riveting the 1/8" holes highlighted



# Side Board Attachment

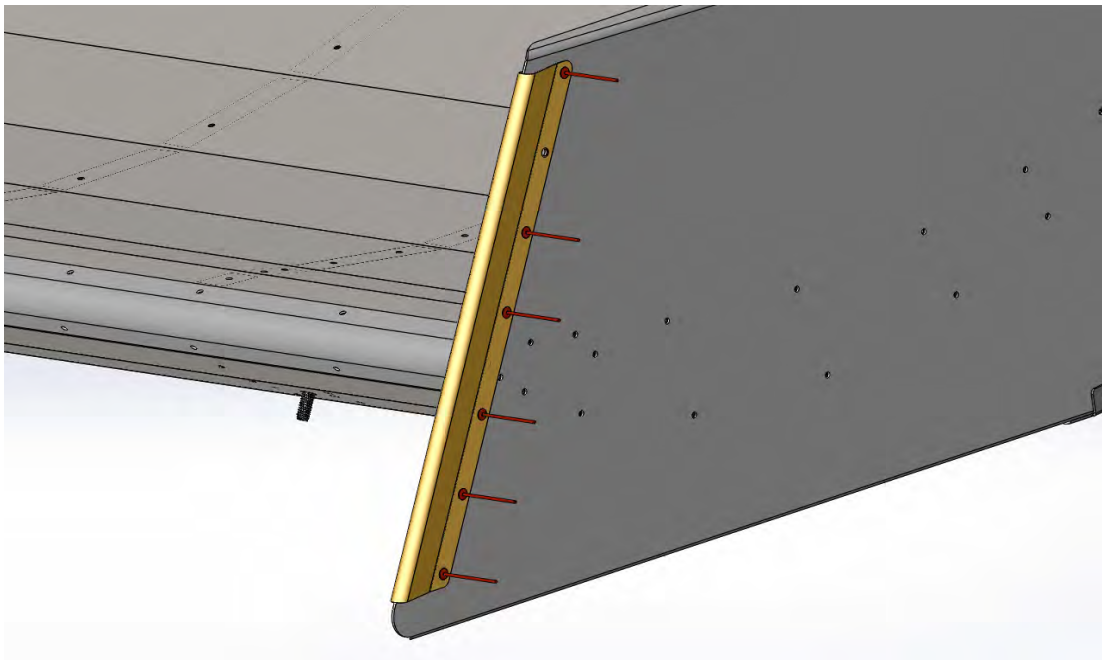
## STEP 1



Rivet the Side Boards to the Nose Wing Center Assembly

Repeat: 1x LH  
1x RH

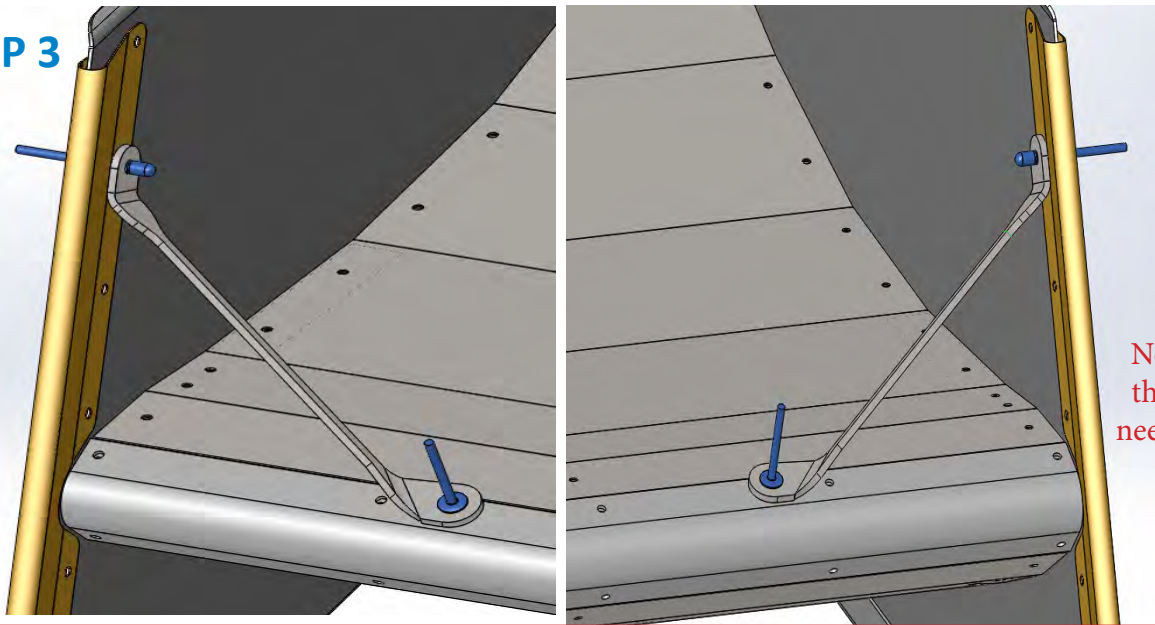
## STEP 2



Rivet the Aero-Nose Caps to the Side Boards

Repeat: 1x LH  
1x RH

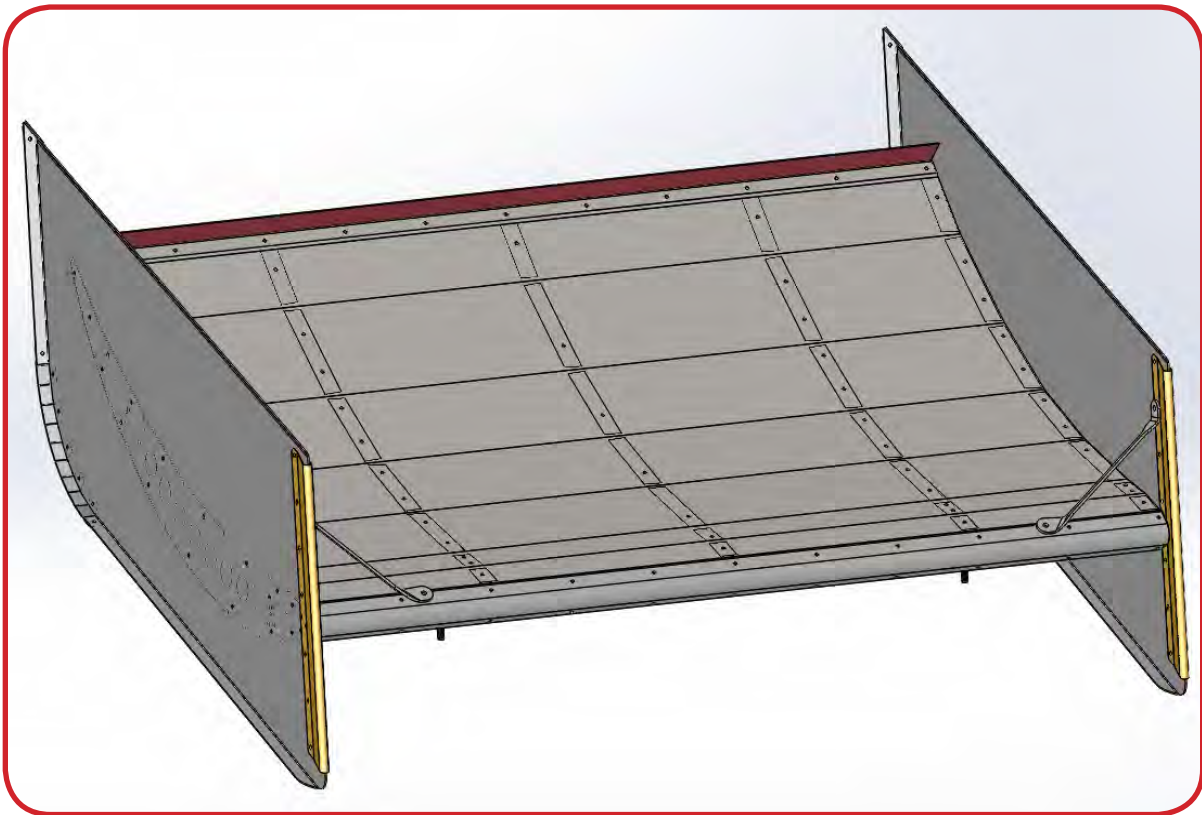
**STEP 3**



3/16" Rivets  
x4

Note: Holes for  
the Braces may  
need to be drilled

Rivet each Brace to the Nose Wing Center Assembly and the Aero-Nose Caps Repeat: 1x LH  
1x RH



Thank you for your purchase of our SKD Nose Wing. For any problems with assembly, or for assistance and clarification, please call (262)-457-5015 for help.





NO MATTER WHAT OR WHERE YOU RACE, WE GOT YOU COVERED!

# SHOP & TRAILER ACCESSORIES

# hrpracing.com





# WEEKLY MAINTENANCE SHEET

## GREASE

- Torque Ball
- Torsion Bars
- King Pins
- Rear Torsion Arm Bolts
- Front Torsion Arms
- Birdcage Bearings (4 Races)
- Swivel Coupler (6-8 Races)

## CLEAN

- Air Filter
- Crankcase Breather
- Nozzles
- Fuel Filter
- Rear Axle Splines

## GENERAL

- Adjust Valves
- Inspect Spark Plugs
- Reinstall Ing. Box & Tac
- Cut Open & Inspect Oil Filter
- Change Oil (4 Races)
- Check Water Level
- Oil, Assemble & Install Air Filter
- Square Rear End (4 Races or Contact)
- Install Correct Shocks
- Install Correct Bars
- Check Stop Bolts For Wear
- Check Fuel In Tank (10 gallons)
- Complete Bolt Check
- Install Correct Gear
- Check Gear Oil Level
- Check Brake Fluid Level
- Check Brake Pads & Rotors
- Install Seat Cushions
- Fill Fuel Jugs

## TRAILER

- Clean Out Trailer
- Paper Towels
- WD-40
- Glass Cleaner
- Tear Offs
- Safety Gear
- Brake Cleaner
- Gas Can
- Kerosene

## NOTES

---

---

---

---

---

---

---

---

## INFO

Date \_\_\_\_\_  
Finish \_\_\_\_\_  
Track \_\_\_\_\_  
Car \_\_\_\_\_  
Engine \_\_\_\_\_  
Rear End \_\_\_\_\_



**Hepfner Racing Products**  
**2133 Constitution Avenue**  
**Hartford, WI 53027**  
**(262) 457-5015**